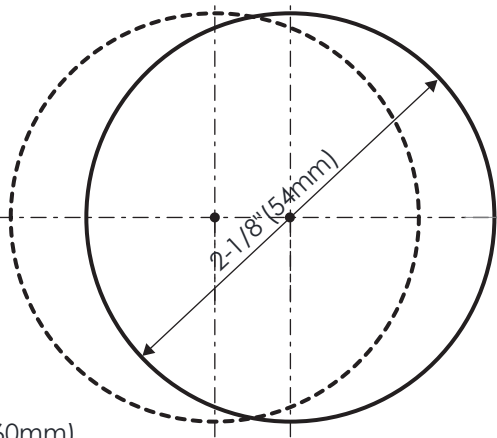
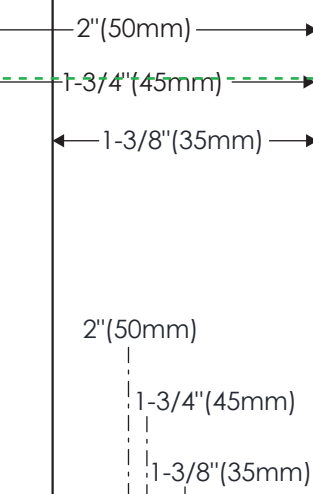


**Door edge**

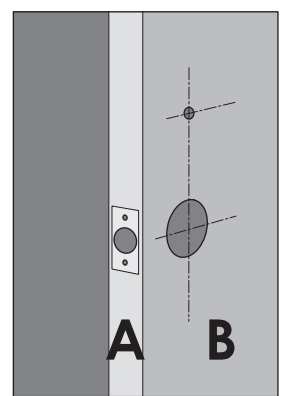
1/2" (12mm)

Drilling a hole is not required for installation. The 3M double sided tape is sufficient enough to help stabilize the lock. However, if you wish to drill a hole for added stability, you can use this template to do so.

3-109/127" (98mm)

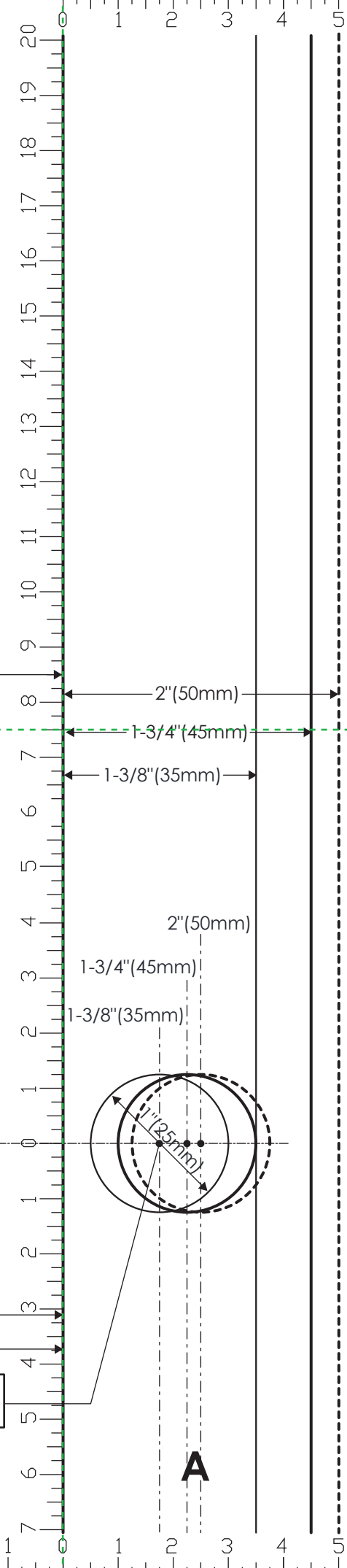
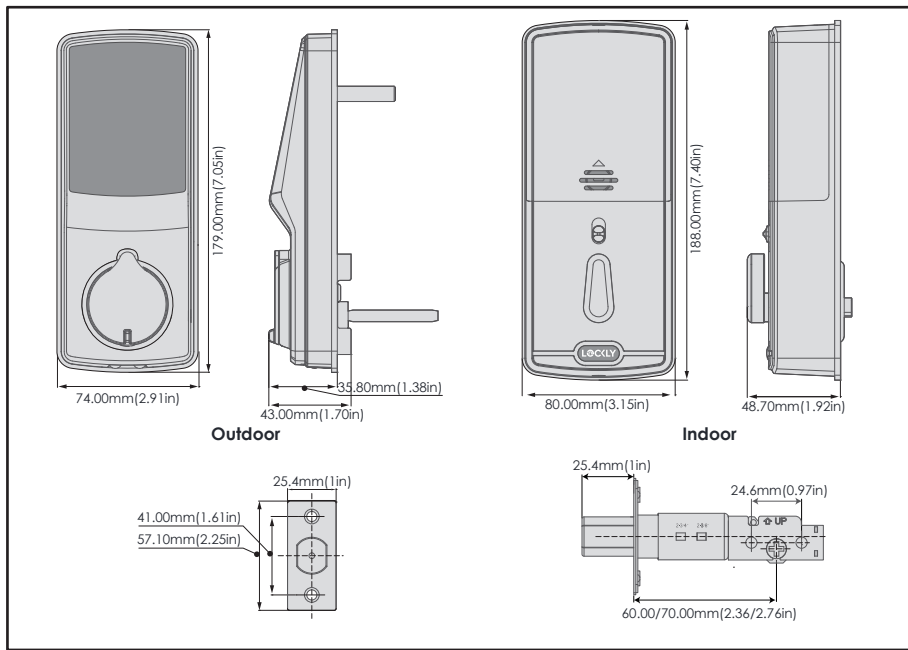


Adjust according to the door thickness  
1-3/8"~2" (35mm~50mm)



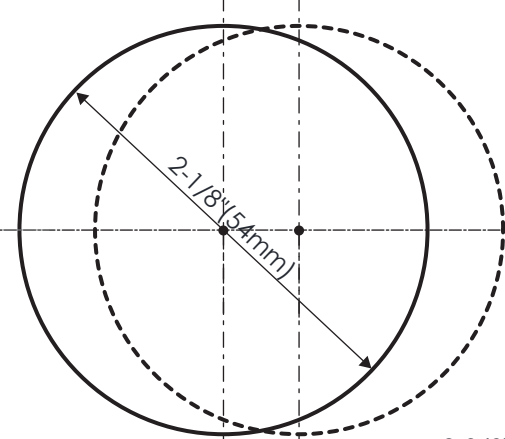
**A**

**B**



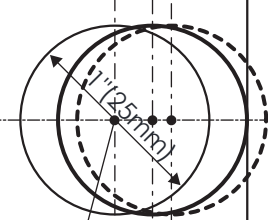
Drilling a hole is not required for installation. The 3M double sided tape is sufficient enough to help stabilize the lock. However, if you wish to drill a hole for added stability, you can use this template to do so.

3-109/127" (98mm)



Door edge  
 2" (50mm)  
 1-3/4" (45mm)  
 1-3/8" (35mm)

2" (50mm)  
 1-3/4" (45mm)  
 1-3/8" (35mm)



Adjust according to the door thickness  
 1-3/8" ~ 2" (35mm ~ 50mm)

